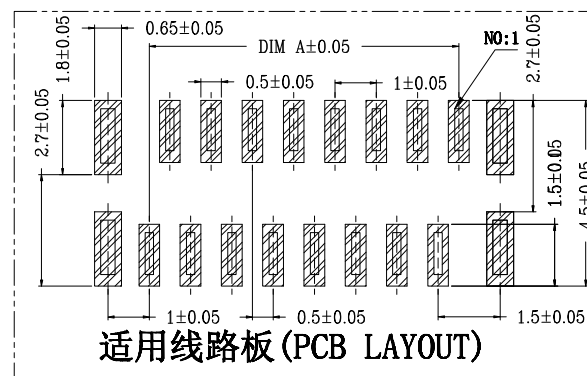
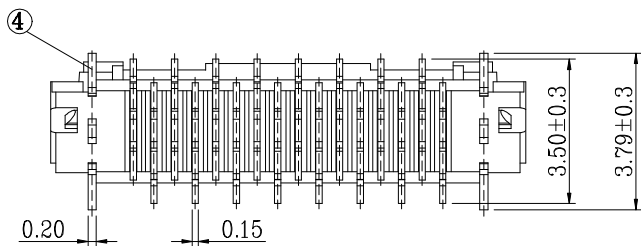
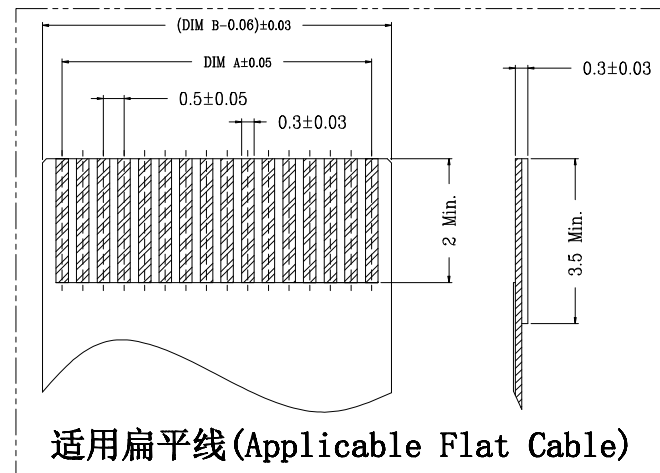
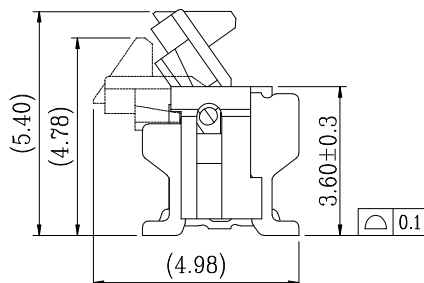
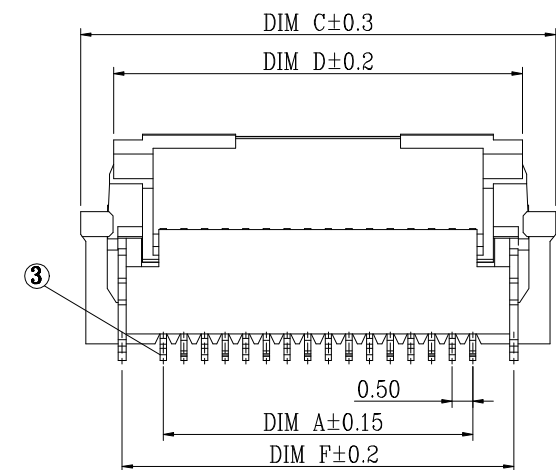
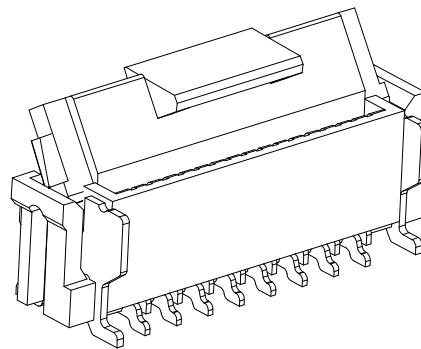
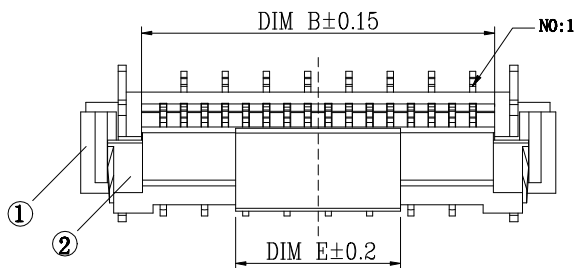


REV	ECN NO.	LOCAS.	DESCRIPTION	DATE	DESIGN
A			NEW DRAWING	22.12.01	Jenply

①	0.5 Pitch 掀盖立式胶芯 (H=5.4)	LCP UL94V-0 本色
②	0.5 Pitch 掀盖立式后盖 (H=5.4)	PA9T UL94V-0 黑色
③	0.5 Pitch 掀盖立式端子 (H=5.4)	铜合金/表面镀金
④	0.5 Pitch 掀盖立式焊片 (H=5.4)	铜合金/表面镀锡



技术指标:

1. 塑件表面应光洁、无毛边、无明显收缩、缺陷、裂纹等现象.
2. 温度范围: -25° C~85° C.
3. 额定电流: 0.5A
4. 额定电压: 50V, AC.
5. 接触电阻: ≤50mΩ MAX.
6. 绝缘电阻: ≥500MΩ Min.
7. 耐电压: 150V AC/1Minute

DESIGN:			
CHECK:			
APPROVED:			
DIM	TOL	DIM	TOL
X.	±0.25	X*	±3.0°
X.X	±0.20	X.X*	
X.XX	±0.15	X.XX*	
X.XXX		X.XXX*	



TITLE: 0.5 Pitch 掀盖立式正脚 (H=5.4)

PART NO. EC-0.5K-CD-nPB H5.4

REV. A	SCALE: N/A	UNIT: mm	SHEET: 1/1	
--------	------------	----------	------------	--